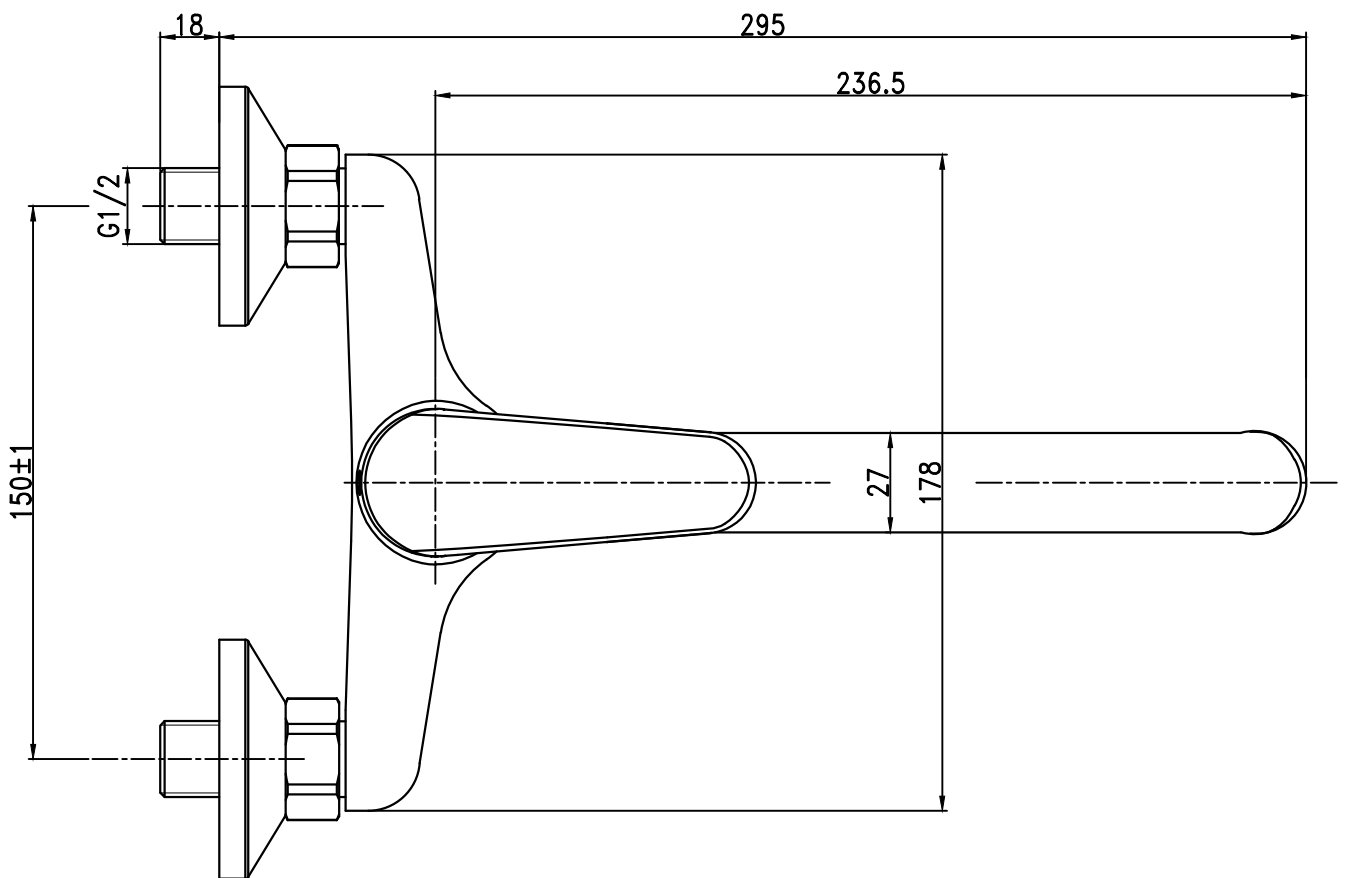
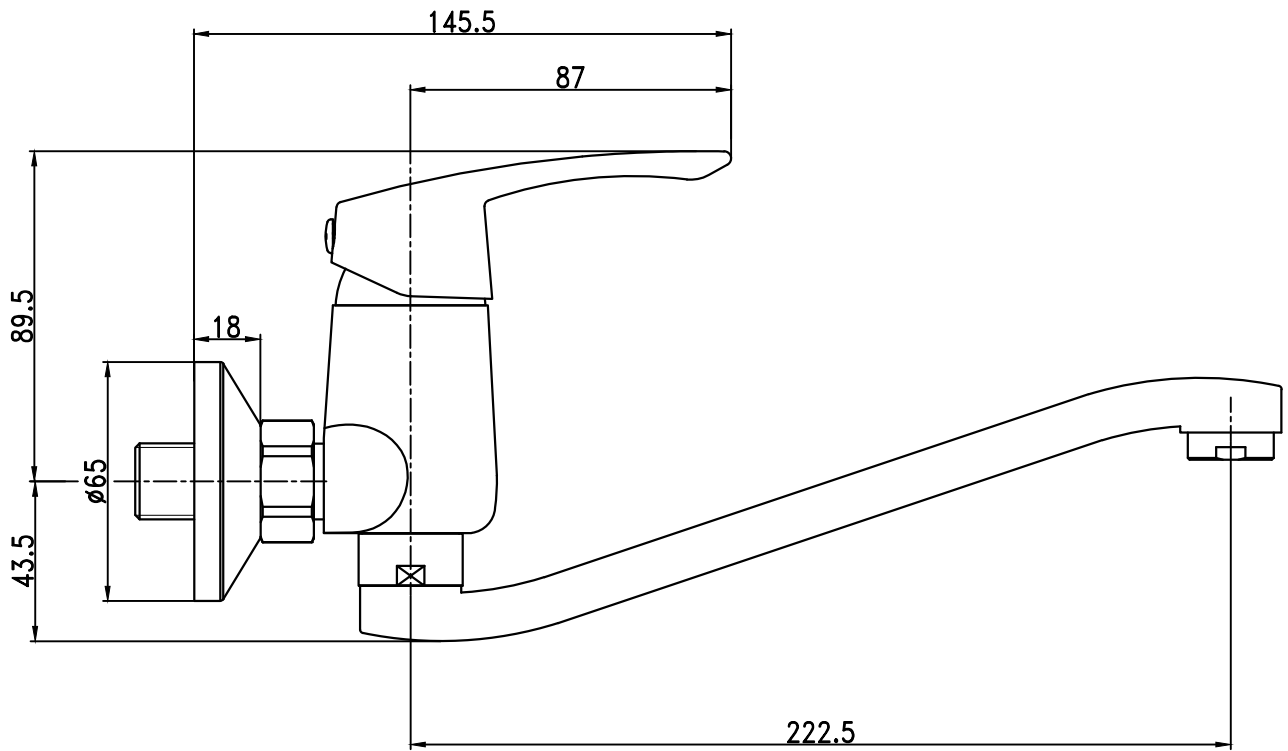


# JB SANITARY



## L10 35 20